

1 2 3 4 5 6 7 8

A

B

C

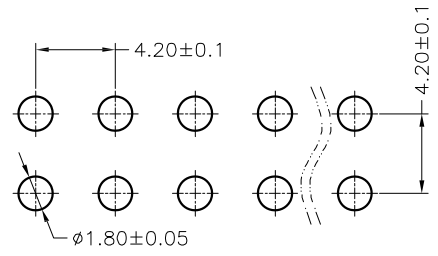
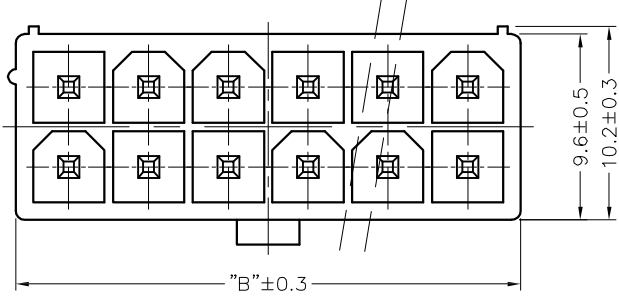
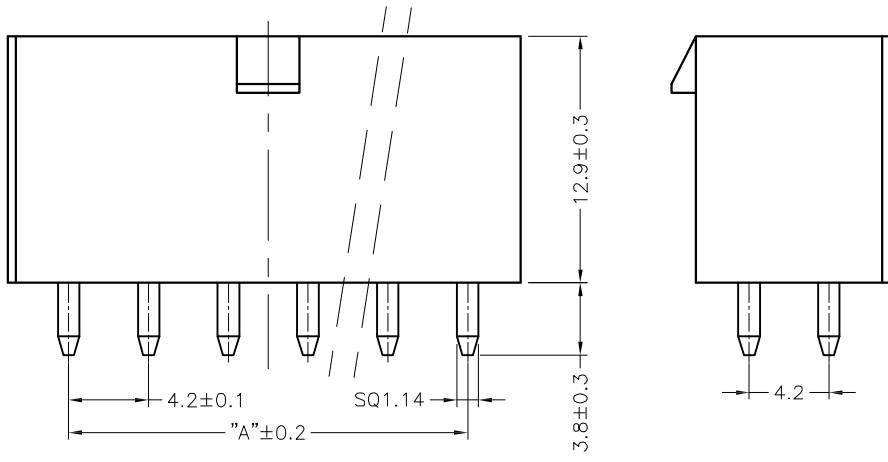
D

E

F

G

H



RECOMMENDED P.C.B LAYOUT

SPECIFICATIONS

Applicable Wire: AWG#28~#16
 Current Rating: 7.0A
 Current Voltage: 600V DC/AC
 Withstand voltage: 1500V AC/Min
 Working Temperature: -40°C~+105°C
 Insulation Resistance: ≥1000MΩ
 Contact Resistance: ≤10mΩ

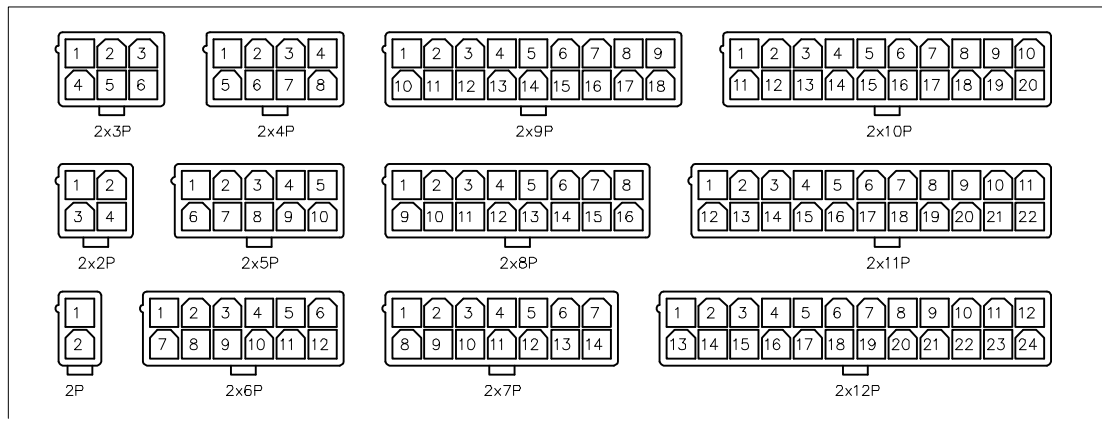
MATERIAL

Terminal: Brass
 Housing: PA66



| Poles | DIM.A | DIM.B |
|-------|-------|-------|
| 2x1P | - | 5.6 |
| 2x2P | 4.2 | 9.8 |
| 2x3P | 8.4 | 14.0 |
| 2x4P | 12.6 | 18.2 |
| 2x5P | 16.8 | 22.4 |
| 2x6P | 21.0 | 26.6 |
| 2x7P | 25.2 | 30.8 |
| 2x8P | 29.4 | 35.0 |
| 2x9P | 33.6 | 39.2 |
| 2x10P | 37.8 | 43.4 |
| 2x11P | 42.0 | 47.6 |
| 2x12P | 46.2 | 51.8 |

CIRCUIT SIZE LAYOUT



Ordering Information

WP - 2 - XX - PT - 5557 - 5 - X - X - 44
 4.2P Wafer 2.DIP VT Per Row PIN Contact Plated PT: TIN Housing Material 5:PA66 Housing Color N:Natural B:Black Packing 1:Bag 5:Tray

| REV. | REVISION RECORD | DATE | General Tolerance | | |
|------|-----------------|-----------|--|-------------------------|--------------|
| A | Original | 03/23/16" | LINEAR | 0.0 ±0.35 0.00 ±0.20 | |
| B | Revised | 11/22/18" | | | UNIT:mm |
| | | | A4 | NAME | DATE |
| | | | APPROVED | SUNNY | |
| | | | DESIGNER | TED | |
| | | | DRAWN | WING | |
| | | | TITLE: 4.2P Wafer DIP Vertical Dual Rows 12.9H | | |
| | | | DWG.NO: WP2XXPT55575XX-44 | | REV. B |
| | | | SCALE | 1:1 | SHEET 1 OF 1 |

1 2 3 4 5 6 7 8